

PROPRIETARY AND CONFIDENTIAL

THE INFORMATION CONTAINED IN THIS DRAWING IS THE SOLE PROPERTY OF XLT Systems Pte Ltd. ANY REPRODUCTION IN PART OR AS A WHOLE WITHOUT THE WRITTEN PERMISSION OF XLT Systems Pte Ltd IS PROHIBITED.

PROJECT TITLE:

No	REVISION	DATE	NAME

DRAWN BY: YEO 08/04/2024
 CHECKED BY:
 APPROVED BY:
 SCALE 1:5 SHEET : 1/2






CUSTOMER: --

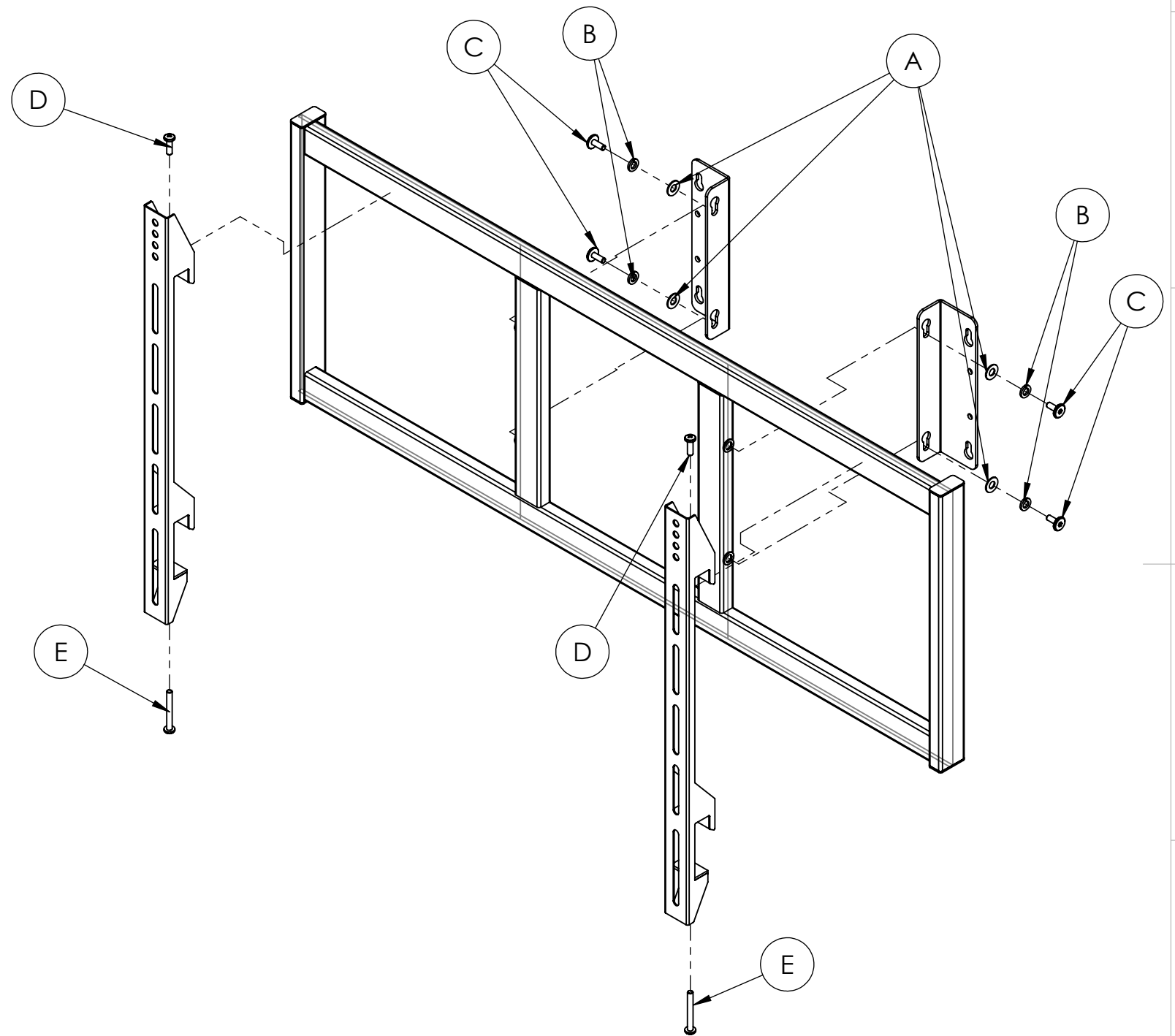
EQUIPMENT / PROJECT NAME
 WP-720_2024
 PART NAME
 ASSEMBLY DRAWING
 PART NUMBER
 WP-720_2024 ASSY

MATERIAL
 MS
 TREATMENT
 BLACK POWDER COAT
 QTY
 01

WP 720 INSTALLATION GUIDE

NO MOUNTING MATERIAL IS PROVIDED. PLEASE ENGAGE PROFESSIONAL INSTALLER SHOULD YOU DON'T KNOW HOW TO INSTALL OR CALL LOCAL DEALER FOR ASSISTANCE. MAKE SURE THAT THE WALL STRUCTURE CAN SUPPORT AT LEAST FOUR TIMES THE TOTAL WEIGHT OF THE BRACKET WITH THE TV.

SCREW LIST			
ITEM	QUANTITY	DESCRIPTION	
A	4	M8 PLAIN WASHER	
B	4	M8 SPRING WASHER	
C	4	M8 FLAT HEAD SOCKET HEAD	
D	2	M6 PAN HEAD	
E	2	M6 PAN HEAD	



PROPRIETARY AND CONFIDENTIAL

THE INFORMATION CONTAINED IN THIS DRAWING IS THE SOLE PROPERTY OF XLT Systems Pte Ltd. ANY REPRODUCTION IN PART OR AS A WHOLE WITHOUT THE WRITTEN PERMISSION OF XLT Systems Pte Ltd IS PROHIBITED.

PROJECT TITLE:

CUSTOMER: --

DRAWN BY:  YEO 08/04/2024

EQUIPMENT / PROJECT NAME
WP-720 INSTALLATION GUIDE

MATERIAL
MS

CHECKED BY:

PART NAME
ASSEMBLY DRAWING

TREATMENT
BLACK POWDER COAT

APPROVED BY:

PART NUMBER
WP-720_2024 ASSY

QTY
01

No	REVISION	DATE	NAME

SCALE 1:5 SHEET : 2/2